

KHOSHNAW

GROUP COMPOSITE DOOR



CATALOGUE 2024-2025

About Our Factory

Khoshnaw factory for manufacturing plastic doors P.V.C and composite and X.P.S The factory is part of the Khoshnaw Factories Group, which was established in the year 2014, and is considered the largest door production factory in Iraq. The doors we manufacture comply with the highest international standards and specifications and are produced using the best raw materials. Our service for more than (10) years decades and continuous growth and development of our factory is a sign of our success in meeting the demands of our customers. Customers recognize the products of the Khoshnaw Factories Group with unique patterns, bright colors, durable goods, and reasonable prices with genuine guarantees. Khoshnaw Factories Group the only factory of its kind that was able to export its products to neighboring countries.

کارگه‌ی خوشناو بۆ دروستکردنی ده‌رگای پلاستیک P.V.C و کۆمپۆزیت و فوم X.P.S. کارگه‌که‌مان به‌شیکه له گروپی کارگه‌کانی خوشناو له ساڵی (2014) دامه‌زراره، گه‌وره‌ترین کارگه‌ی به‌ره‌مه‌ئێنانی ده‌رگایه له ته‌واوی عێراق. ده‌رگا‌کانمان به‌باشترین کوالیتیی و ستانداردی جیهانی به‌به‌کاره‌ئێنانی باشترین جۆری که‌ره‌سته‌ی خاوه‌ به‌ره‌مه‌ده‌هێنین. شانازی ده‌که‌ین که به‌ره‌مه‌کانمان جینگه‌ی په‌زنامه‌ندی و متمانه‌ی ته‌واوی به‌کاره‌ئێران. خزمه‌تی زیاتر له (10) ساڵه‌مان و به‌رده‌وام گه‌وره‌بوون و گه‌شه‌کردنی کارگه‌که‌مان نیشانه‌ی سه‌رکه‌وتنی نێمه‌یه له به‌ده‌ئێنانی خواستی به‌کاره‌ئێرانی کالاکانمان. کێپاران به‌ره‌مه‌کانی گروپی کارگه‌کانی خوشناو به‌ نه‌خشی ناوازه و په‌نگی په‌ونه‌ق‌دار و کالای ته‌مه‌ندار و نرخ‌ی گونجا و گه‌ره‌نتی راسته‌قینه ده‌ناسنه‌وه. گروپی کارگه‌کانی خوشناو تا‌که کارگه‌یه له جۆری خۆی که به‌ره‌مه‌کانی هه‌ناردی وه‌لاتانی ده‌روه‌ه کردوه.

معمل خوشناو لصناعة الأبواب البلاستيكية P.V.C و كومبوزيت و X.P.S ، المعمل جزء من مجموعة معامل خوشناو تأسست في سنة 2014، وتعتبر اكبر معمل للإنتاج الأبواب في العراق. الأبواب التي نصنعها يتوافق مع أعلى المعايير والمواصفات العالمية ويتم انتاجها باستخدام افضل المواد الأولية. خدماتنا المستمرة منذ أكثر من (10) عشر سنوات وتطور منتجاتنا و توسع معاملنا دليل نجاحنا في تحقيق متطلبات مستخدمي منتجاتنا. الزبون يتعرف على منتجات مجموعة معامل خوشناو من خلال التصميم الرائع والألوان البراقة والسلعة المعمرة والسعر المناسب والضمان الحقيقي. مجموعة معامل خوشناو المعمل الوحيد من نوعه التي استطاعت تصدير منتجاتها الى الدول الجوار.



Composite Door

Durable and beautiful door, resistant to pressure, humidity, heat, cold and noise, and compatible with international quality and standards...

دەرگاڤه کس پټو و جوان و بېرېست بهرامېر په ستان و شېن و گهرمې و ساردې و ژاوه ژاو، هاوتای کوالیتې و ستاندارده جیهانیه کان...

باب متین و جمیل و مقاوم للضغط والرطوبة والحرارة والبرودة والضوضاء ومتوافق مع الجودة والمعايير العالمية...



COLORS

Try a splash of gorgeous color to boost curb appeal and make your front entry more welcoming. Get some ideas from these colorful front doors.



CERTIFICATE

KHOSHNAW DOOR



CERTIFICATE

This is to Certify that
Environmental Management System
of
**KHOSHNAW FACTORY FOR PLASTIC DOORS (P.V.C)
COMPOSITE DOORS AND XPS**
Iraq, Sulaymaniyah, Rania, Jawarqorna (District 23, no. 595/5), Industrial Zone,
Peshmarga Road, Near Al -Arkan College

has been independently assessed by DBS
and is compliant with the requirement of:
ISO 14001:2015
For the following scope of activities:
Production of Plastic Plates, Plastic Frames, Insulation Foam- Plastic Doors,
Prefabricated (Composite) Doors, Wooden Doors, Glass Separators Strips (Spacers).
Certificate Number: E-205224061402

Date of Certification:	14th June 2024
1 st Surveillance Audit Due:	13th June 2025
2 nd Surveillance Audit Due:	13th June 2026
Certificate Expiry:	13th June 2027

This Certificate is property of DBS Certifications and remains valid subject to satisfactory surveillance audits.
Validity of this certificate may be checked at www.ulfactsearch.org after 7 working days of issue.



Head of Certification



This Certificate is property of DBS Certifications Pvt. Ltd. and it remains valid subject to satisfactory surveillance audits.

DBS CERTIFICATIONS PVT. LTD.
142, 1st Floor, Anjar Enclave, Paschim Vihar, Delhi-110063, (INDIA) info@dbscertification.com, www.dbscertification.com
ACCREDITED BY:
United Accreditation Foundation Inc, 400 North Center DR STE 202, Norfolk, VA 23502, United States of America



CERTIFICATE

This is to Certify that
Occupational Health and Safety Management System
of
**KHOSHNAW FACTORY FOR PLASTIC DOORS (P.V.C)
COMPOSITE DOORS AND XPS**
Iraq, Sulaymaniyah, Rania, Jawarqorna (District 23, no. 595/5), Industrial Zone,
Peshmarga Road, Near Al -Arkan College

has been independently assessed by DBS
and is compliant with the requirement of:
ISO 45001:2018
For the following scope of activities:
Production of Plastic Plates, Plastic Frames, Insulation Foam- Plastic Doors,
Prefabricated (Composite) Doors, Wooden Doors, Glass Separators Strips (Spacers).
Certificate Number: HS-205224061403

Date of Certification:	14th June 2024
1 st Surveillance Audit Due:	13th June 2025
2 nd Surveillance Audit Due:	13th June 2026
Certificate Expiry:	13th June 2027

This Certificate is property of DBS Certifications and remains valid subject to satisfactory surveillance audits.
Validity of this certificate may be checked at www.ulfactsearch.org after 7 working days of issue.



Head of Certification



This Certificate is property of DBS Certifications Pvt. Ltd. and it remains valid subject to satisfactory surveillance audits.

DBS CERTIFICATIONS PVT. LTD.
142, 1st Floor, Anjar Enclave, Paschim Vihar, Delhi-110063, (INDIA) info@dbscertification.com, www.dbscertification.com
ACCREDITED BY:
United Accreditation Foundation Inc, 400 North Center DR STE 202, Norfolk, VA 23502, United States of America



CERTIFICATE

This is to Certify that
Quality Management System
of
**KHOSHNAW FACTORY FOR PLASTIC DOORS (P.V.C)
COMPOSITE DOORS AND XPS**
Iraq, Sulaymaniyah, Rania, Jawarqorna (District 23, no. 595/5), Industrial Zone,
Peshmarga Road, Near Al -Arkan College

has been independently assessed by DBS
and is compliant with the requirement of:
ISO 9001:2015
For the following scope of activities:
Production of Plastic Plates, Plastic Frames, Insulation Foam- Plastic Doors,
Prefabricated (Composite) Doors, Wooden Doors, Glass Separators Strips (Spacers).
Certificate Number: Q-205224061401

Date of Certification:	14th June 2024
1 st Surveillance Audit Due:	13th June 2025
2 nd Surveillance Audit Due:	13th June 2026
Certificate Expiry:	13th June 2027

This Certificate is property of DBS Certifications and remains valid subject to satisfactory surveillance audits.
Validity of this certificate may be checked at www.ulfactsearch.org after 7 working days of issue.



Head of Certification



This Certificate is property of DBS Certifications Pvt. Ltd. and it remains valid subject to satisfactory surveillance audits.

DBS CERTIFICATIONS PVT. LTD.
142, 1st Floor, Anjar Enclave, Paschim Vihar, Delhi-110063, (INDIA) info@dbscertification.com, www.dbscertification.com
ACCREDITED BY:
United Accreditation Foundation Inc, 400 North Center DR STE 202, Norfolk, VA 23502, United States of America

COMPOSITE DOOR
BEST QUALITY

1110





1111



1113



1118



11111

COMPOSITE DOOR
BEST QUALITY

1121





1120



1122



1126



1127

COMPOSITE DOOR
BEST QUALITY

1142

5 | Composite Door





1141



1140

COMPOSITE DOOR
BEST QUALITY

1156





1150



1151



1154



1158

COMPOSITE DOOR
BEST QUALITY

1164





1160



1161



1167

COMPOSITE DOOR
BEST QUALITY

1172





1170



1178

COMPOSITE DOOR
BEST QUALITY

1189





1181



1183



1184



1186

COMPOSITE DOOR
BEST QUALITY

11811b





1180b



1188b



11810b

COMPOSITE DOOR
BEST QUALITY

1197





1190



1191



1192



1199

COMPOSITE DOOR
BEST QUALITY

1201





1203



1206



1208

COMPOSITE DOOR
BEST QUALITY

1218





1210



1217

COMPOSITE DOOR
BEST QUALITY

1222





1220



1226



1227



1229

COMPOSITE DOOR
BEST QUALITY



1236



1233



COMPOSITE DOOR
BEST QUALITY

1244





1240



1247



1248

COMPOSITE DOOR
BEST QUALITY

12510





1250



1256



12511

COMPOSITE DOOR
BEST QUALITY

1264





1260



1261



1266



1269

COMPOSITE DOOR
BEST QUALITY

1270





1271



1279

COMPOSITE DOOR
BEST QUALITY

1280





1284



COMPOSITE DOOR
BEST QUALITY

1297





1290



1291



1292

COMPOSITE DOOR
BEST QUALITY

1319





1310



1311



1314



1316

COMPOSITE DOOR
BEST QUALITY

1323





1321



1328

COMPOSITE DOOR
BEST QUALITY

1330





1331



1334



1337



1339

COMPOSITE DOOR
BEST QUALITY

1343





1340



1341



1348

COMPOSITE DOOR
BEST QUALITY

1358





1352



1351



1357



1359

COMPOSITE DOOR
BEST QUALITY

1372





1370



1379



13711

COMPOSITE DOOR
BEST QUALITY

1380





1384



1389

COMPOSITE DOOR
BEST QUALITY

1396





1391



1393



1394

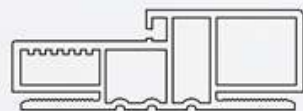


13910

Door Frames & Architraves



10cm



4*8cm



14cm



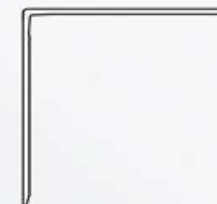
8*8cm



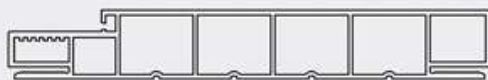
20cm



7*10cm



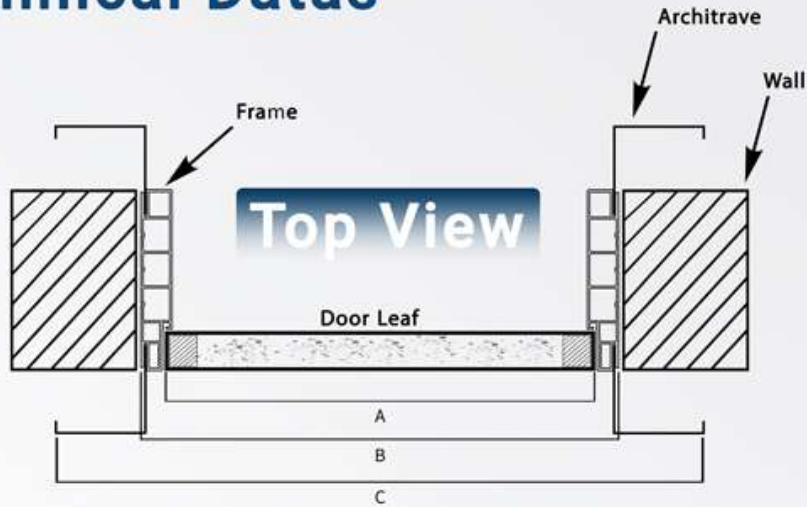
24cm



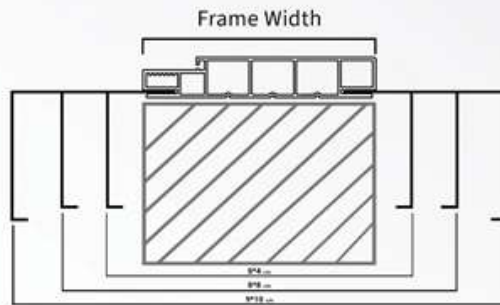
9*10cm



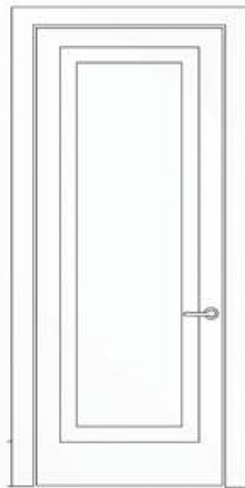
Technical Datas



A	B	C	
Door Leaf Width (cm)	Head Frame Width (cm)	Minimum Covering (cm)	Maximum Covering (cm)
65	70.7	74	85
70	75.7	79	90
75	80.7	84	95
80	85.7	89	100
85	90.7	94	105
90	95.7	99	110



Set of Frame- Wall Covering				
Architraves (cm)	Frame Width			
	10 cm	14 cm	20 cm	24 cm
8*4 Min	9 cm	13 cm	19 cm	23 cm
8*4 Max	14 cm	18 cm	24 cm	28 cm
8*8 Min	13 cm	17 cm	23 cm	27 cm
8*8 Max	18 cm	22 cm	28 cm	32 cm
9*10 Min	18 cm	22 cm	28 cm	32 cm
9*10 Max	23 cm	27 cm	33 cm	37 cm



Architrave 8*8				
Leaf Hight (cm)	203	213	223	233
Max Set Frame Hight (cm)	215	225	235	245



 sales@dkh-group.com

 www.dkh-group.com

 Ranya-Sulaimaniyah/IRAQ

DKH FACTORY
      

